



MODEL H2872/H2873 SHELF RACK INSTRUCTIONS

Model H2872 Inventory

A. Shelves.....	3
B. Legs.....	4
C. Corner Braces	16
D. Bolt Bag.....	1
—Plastic Feet.....	4
—Slotted Screw M6-1 x 10	56
—Square Nuts M6-1.....	56

Model H2873 Inventory

A. Shelves.....	5
B. Legs (shipped in separate box)	4
C. Corner Braces	16
D. Bolt Bags.....	2
—Plastic Feet.....	4
—Slotted Screw M6-1 x 10	72
—Square Nuts M6-1.....	72

Assembly

1. Lay the legs on the floor so the corners face out and press a plastic foot on one end of each leg. Use the diagram on the next page for assistance during assembly.
2. Secure the bottom holes of the corner braces to the inside corners of the legs with M6-1 x 10 slotted screws and M6 square nuts. **Note**—Finger tighten bolts until assembly is complete.
3. Place a shelf on the inside corner of the leg and corner brace, then insert an M6-1 x 10 slotted screw through the leg, corner brace and shelf. Secure with an M6-1 square nut. Insert the second screw through the corner brace and shelf.
4. Continue around each corner of the shelf until complete.
5. Determine the location of remaining shelves and repeat **steps 2–6**. **Note**—Corner braces are only used on the top and bottom shelves.

6. After shelving unit is assembled and aligned, tighten all the nuts and bolts.

If you need additional help, call our service department at: (570) 546-9663.



Figure 1. Models H2872 & H2873.

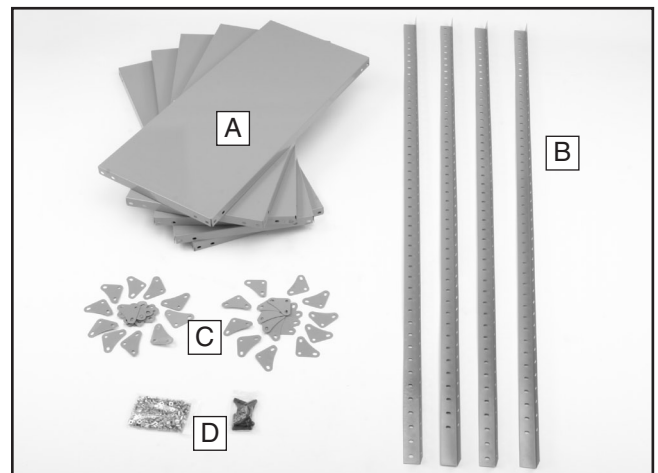
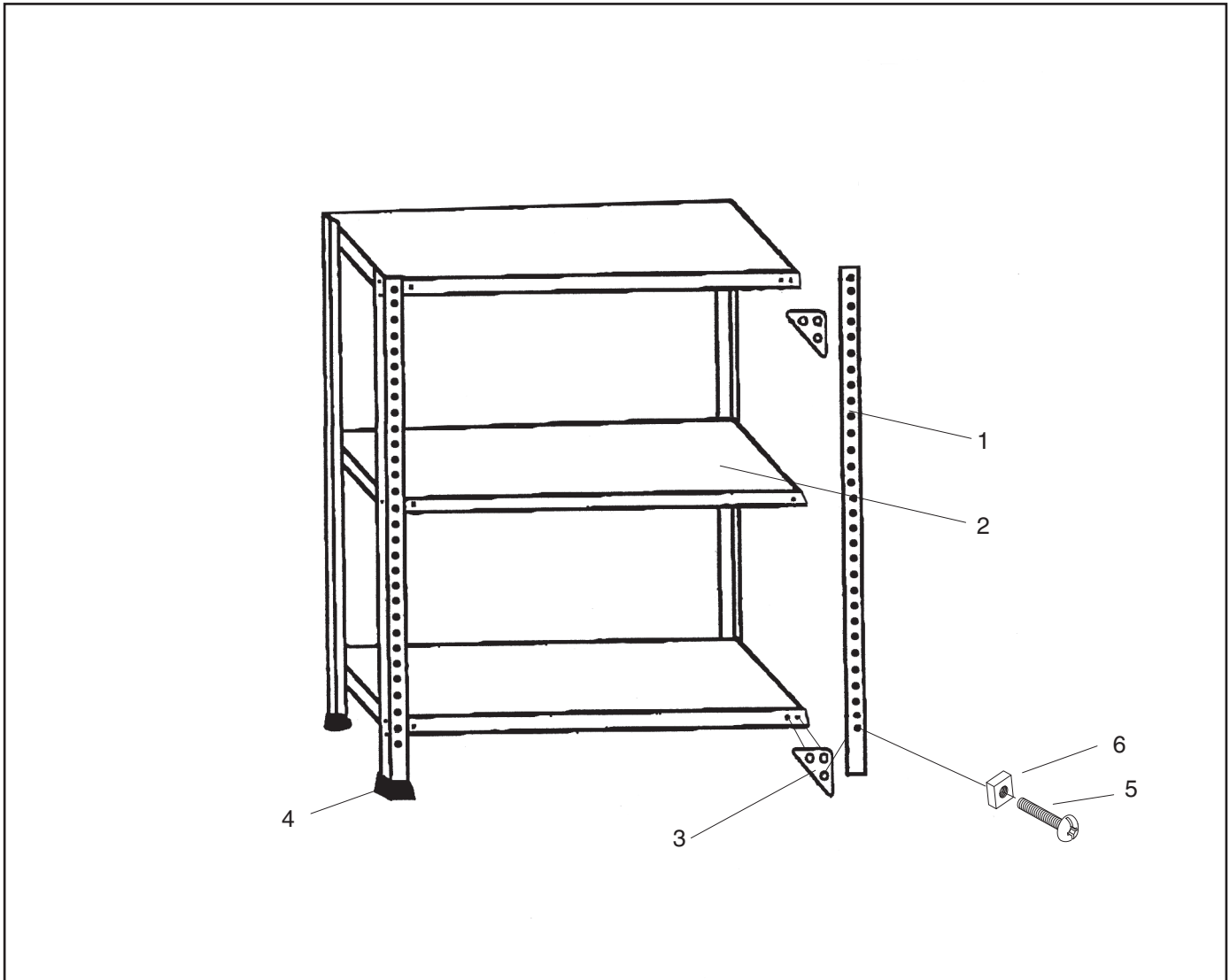


Figure 2. Inventory parts.

!WARNING

Exceeding the maximum weight limit or tipping the shelf can cause severe injury or death. **DO NOT** exceed the weight limit (H2872: 600lbs; H2873: 1000lbs) and secure the unit to wall or other stationary object.

H2872 & H2873 Parts Breakdown and List



Model H2872

REF	PART #	DESCRIPTION
1	PH2872001	LEG
2	PH2872002	SHELF
3	PH2872003	CORNER BRACE
4	PH2872004	PLASTIC FEET
5	PS68M	SLOTTED SCREW M6-1 X 10
6	P8976044	SQUARE NUT M-6

Model H2873

REF	PART #	DESCRIPTION
1	PH2873001	LEG
2	PH2873002	SHELF
3	PH2872003	CORNER BRACE
4	PH2872004	PLASTIC FEET
5	PS68M	SLOTTED SCREW M6-1 X 10
6	P8976044	SQUARE NUT M-6

COPYRIGHT © JULY, 2004 BY GRIZZLY INDUSTRIAL, INC. REVISED APRIL 2011 (JB)
**WARNING: NO PORTION OF THIS MANUAL MAY BE REPRODUCED IN ANY SHAPE
 OR FORM WITHOUT THE WRITTEN APPROVAL OF GRIZZLY INDUSTRIAL, INC.**
 #PC6407 PRINTED IN CHINA